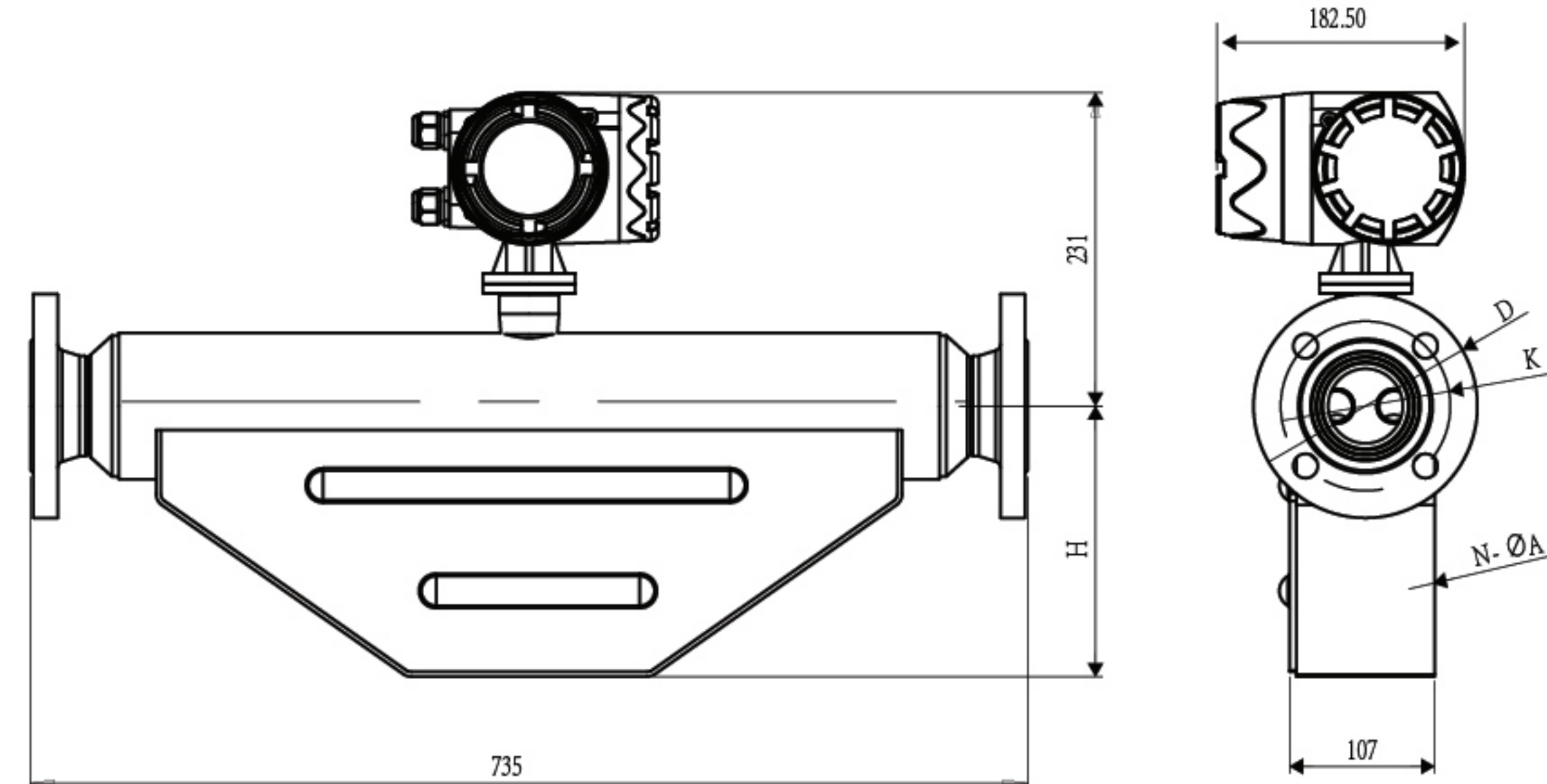


# The Series KF900V-FA Coriolis Mass Flowmeters

Pipe sizes from 15 to 50 mm, V-tube design with flange connections, explosion-proof



The Series KF900V-FA Coriolis Mass Flowmeters employ advanced DSP digital signal processing and fully digital drive technology, significantly enhancing flow stability. The display features a large OLED screen for smoother, clearer visuals that remain stable even at low temperatures. The instrument supports real-time self-diagnosis, monitoring various issues and providing alarms. Additionally, it includes multiple signal interfaces such as current, pulse, and RS485, along with various functional options to accommodate different working conditions. A capacitive button design allows convenient operation without needing to open the converter's cover. V-tube design, small size and light weight, saves installation space, cost and time.

## FEATURES

- High accuracy, 0.1% of reading
- V-tube design, compact size, lightweight
- Integral welding structure, sturdy and durable
- Explosion-proof Ex d IIC T6 Gb
- Accurate measurement even when the medium contains gases
- Fast and comprehensive digital signal processing
- High-precision density measurement
- No crosstalk: unaffected by installation and process conditions

## APPLICATIONS

- Petrochemical Industry
- Metallurgical Industry
- Textile Industry
- Pharmaceutical Industry
- Semiconductor Industry
- Food and Beverage Industry
- Papermaking and Pulp
- Power Plants
- Urban Water Supply and Drainage
- Environmental Protection
- New Energy Industry
- Shipbuilding Industry

## SPECIFICATIONS

<b>Service</b>	Liquids, including highly viscous media, non-homogeneous mixtures, and media with solid content or entrained gas
<b>Pipe Size</b>	15mm to 50mm
<b>Material</b>	316L
<b>Accuracy</b>	±0.1%, ±0.15%, ±0.2%, ±0.3%RD within the range
<b>Temperature Limit</b>	-50°C to 100°C for integral display; -50°C to 125°C for integral display high-temperature option; -150°C to 250°C for remote display
<b>Pressure Rating</b>	PN40, optional PN63
<b>Enclosure Rating</b>	IP67, optional IP68 (remote)
<b>Output</b>	4-20mA + pulse
<b>Communication</b>	HART or RS-485
<b>Display</b>	OLED, Size 58mm x 29mm
<b>Display Units</b>	Mass flow: kg/s, kg/m, kg/h, t/s, t/m, t/h; mass totalizer flow: kg, t; volume flow: L/s, L/m, L/h, m³/s, m³/m, m³/h; volume totalizer flow: L, m³; density: g/cm³, g/L, kg/L, kg/m³
<b>Display Units</b>	18-265V AC or 18-36V DC
<b>Process Connection</b>	DIN Flange, ANSI flange, JIS Flange
<b>Explosion Rating</b>	Ex d IIC T6 Gb
<b>Converter Size</b>	181.5mm x 171mm x 141mm
<b>Converter Weight</b>	1.35 Kg

## MODEL CHART

Example	KF900V-FA	-15	-A1	-DIN	-H	-10	-EXP	
<b>Series</b>	KF900V-FA							Coriolis Mass Flowmeters
<b>Pipe Size</b>		15						DN15, range: 300 kg/h to 3000 kg/h, zero stability: 0.25 kg/h, L x D x K x B x H x N-ΦA = 304x95x65x80x202mm x 4-Φ14
		25						DN25, range: 1500 kg/h to 15000 kg/h, zero stability: 0.75 kg/h, L x D x K x B x H x N-ΦA = 420x115x85x90x214mm x 4-Φ14
		40						DN40, range: 3500 kg/h to 35000 kg/h, zero stability: 3.00 kg/h, L x D x K x B x H x N-ΦA = 520x150x110x103x226mm x 4-Φ18
		50						DN50, range: 3500 kg/h to 35000 kg/h, zero stability: 3.20 kg/h, L x D x K x B x H x N-ΦA = 532x165x125x103x226mm x 4-Φ18
<b>Converter Type</b>			A1					Integral display (-50°C to 100°C)
			A2					Integral display with high-temperature rating (-50°C to 125°C)
			B2					Remote display (-150°C to 250°C)
<b>Process Connection</b>				DIN				DIN Flange
				ANSI				ANSI Flange
				JIS				JIS Flange
<b>Output</b>					R			4-20mA + Pulse + RS485
					H			4-20mA + Pulse + HART
<b>Accuracy</b>						10		0.1% Reading of the Range
						15		0.15% Reading of the Range
						20		0.2% Reading of the Range
						30		0.3% Reading of the Range
<b>Options</b>							EXP	Explosion Proof, Ex d IIC T5 Gb
							HP	High pressure rating to PN63
							LF	Low flow measurement, please consult the factory
							IP68	IP68 (Remote only)